

Low Cost Anti Islanding Protection

Are Your Interconnection Costs Running Too High?

Are you required to implement a costly transfer trip protection scheme?

You have already invested millions of dollars in building your renewable generation facility. Now what? You want to connect to the utility grid and start generating revenue! But wait a minute, before you can do that, the utility requires you to install a direct transfer trip protection system at the interconnection point.

Direct Transfer Trip (DTT) systems provide anti-islanding protection to insure safety of line workers and reliability of grid equipment and are mandated by the IEEE standard 1547.

However it comes with a very high price tag especially at a time when your budget has all been consumed with the development and construction of the DG site! But, does it have to be that way? NO! Not anymore.

GridEdge Networks Transfer Trip Solution is coming to the Rescue!

The fix to this problem GridEdge Networks of Littleton MA jointly developed a cost effective and extremely reliable solution with the largest electric utility in New England - Northeast Utilities.

This innovative system uses existing utility's own wires to deliver a protective guard signal between the distribution substation and the point of interconnection for the DG facility.

It is commercially available and is protecting utility scale DG sites in MA. The system is fast and easy to install and costs a fraction of competing products.

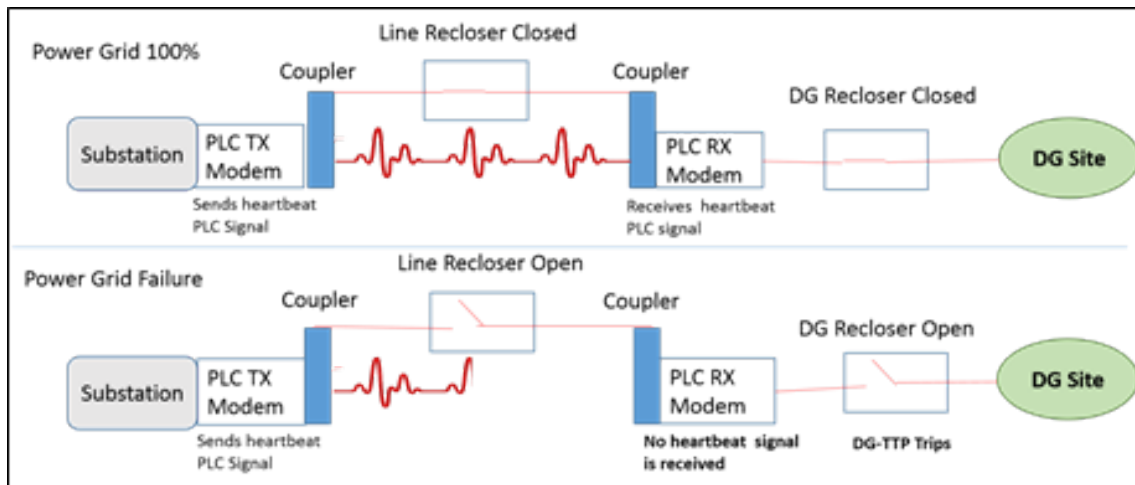
You can ditch high monthly recurring costs of a phone based system and avoid paying an exuberant price for a dedicated fiber system. Wireless and radio based systems are not effective due to line of sight limitations and security and interference concerns.

Contact us with your project requirements to receive a free quote and consultation. Your complete success and full satisfaction is guaranteed!

The GridEdge Advantage		
Conventional Methods	GridEdge DG-TTP	Customer Benefit
Use communication networks	Uses same utility wires	Secure and dependable protection
Complex multiple step DTT process	Simple and reliable 1- step process	High reliability and low maintenance
Requires device at every recloser	Requires devices only at end-points	Reduced cost and labor
Multiple points of failure	Much less equipment required	High reliability and low maintenance
Long deployment time	Short deployment time	Start generating revenue sooner!
Long installation cycle	Fast and simple installation	Low costs and accelerated schedule
Requires telecom skills and training	No special skills or training required	Lower labor costs
Security concerns with telecom	Very secure and tamper proof	Secure and dependable protection
Not scalable and not adaptable	Scalable to multiple DG sites	Fail-safe protection system
Ongoing operational costs	Lowest total life cycle costs	No upward pressure on utility rates
Very costly (\$300K-\$500K for fiber)	Costs less than 20% of fiber	Lower cost for better protection!

Low Cost Anti Islanding Protection

The GridEdge Transfer Trip Protection Concept



DG-TTP System Deployment



The wait is over: DG-TTP is available today! Start generating revenue immediately by solving your interconnection trip protection problem!

Contact us for a free consultation and quote.